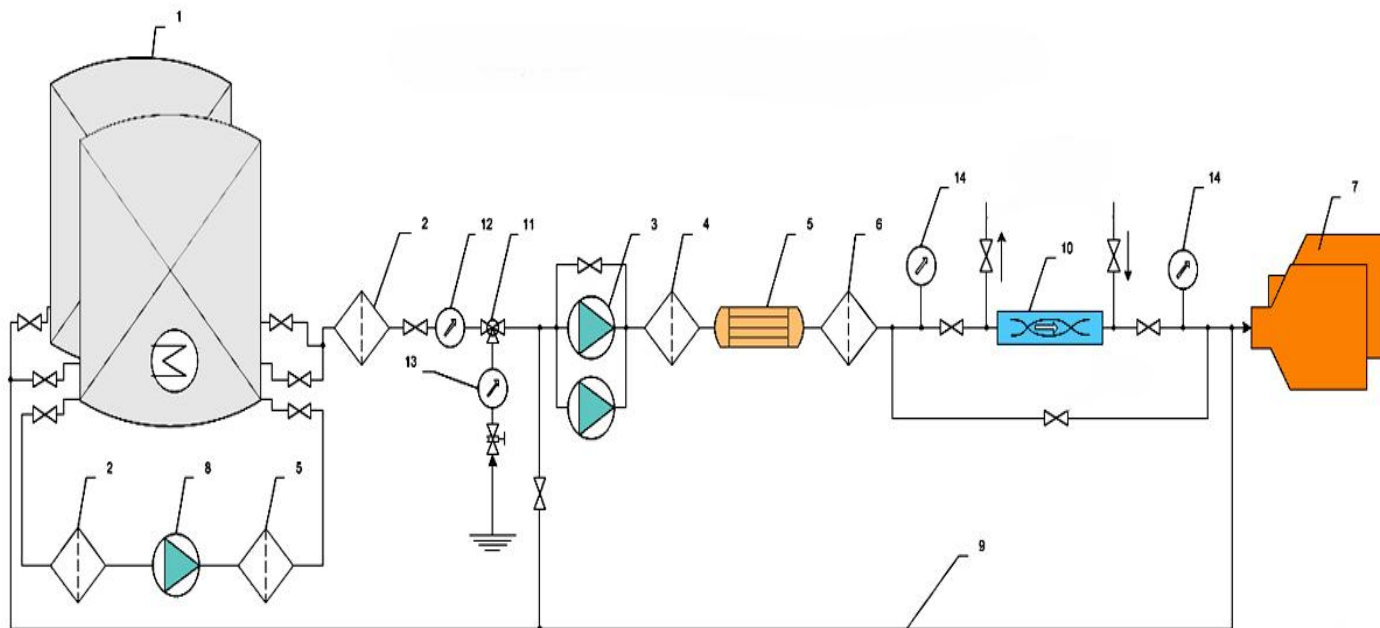
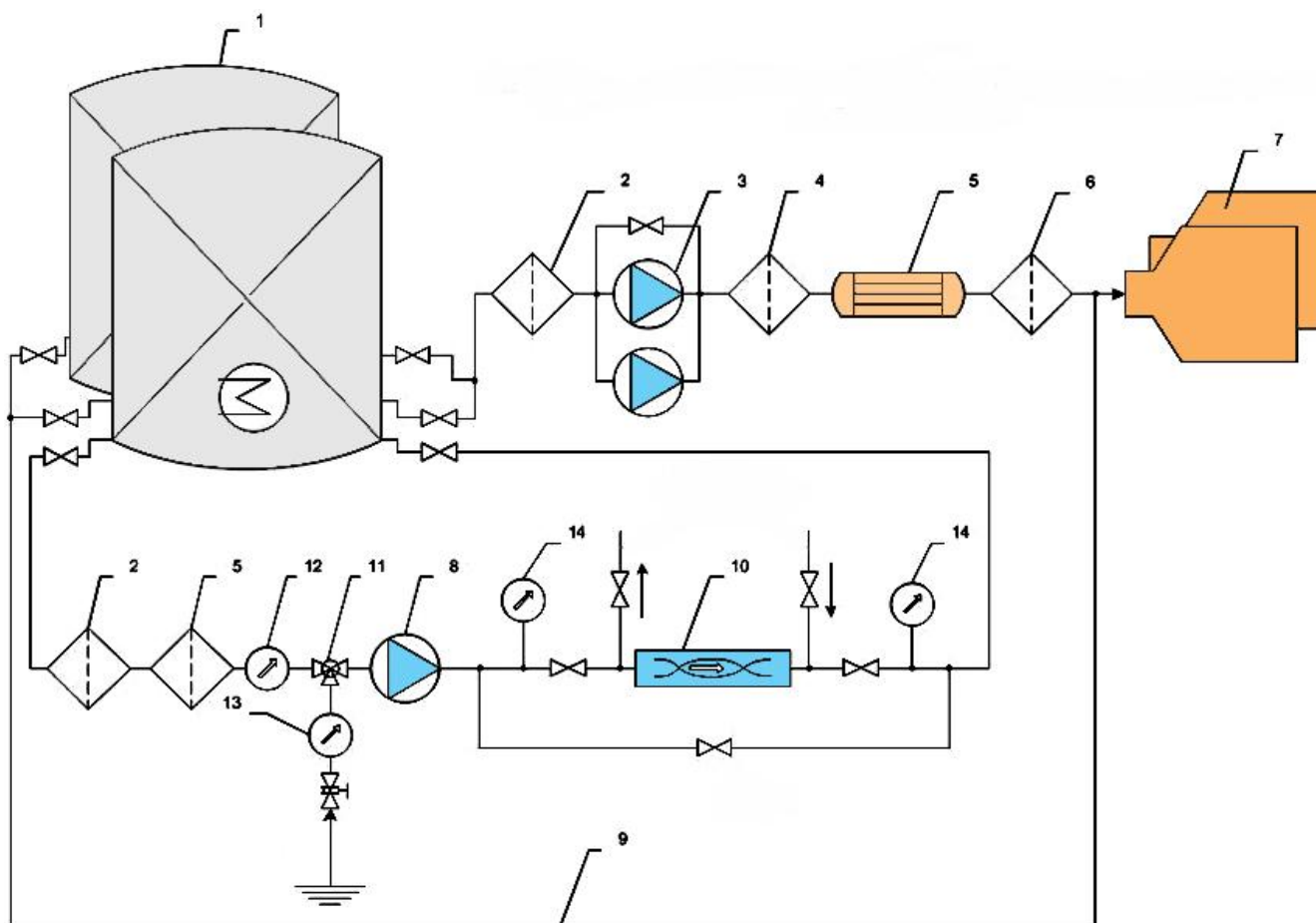


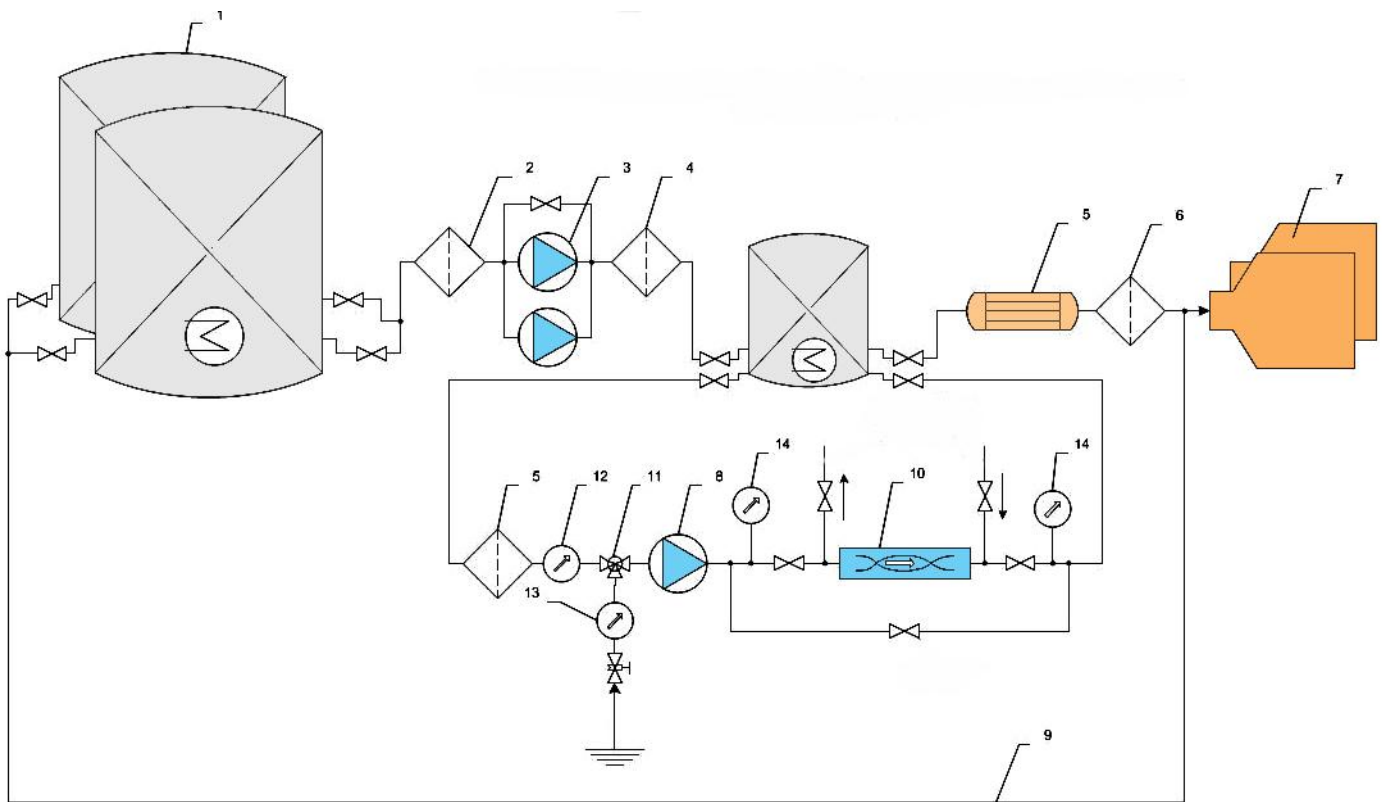
1. scheme for installation the TRGA activator for best boiler fuel burning in boiler feed line



2. scheme for installation the TRGA homogenizer in recycling line of boiler fuel (on settling tank)



3. scheme for installation the TRGA homogenizer in recycling line of boiler fuel (on day tank)



it is not wiring diagrams, but some options concepts
in each individual case it may be changed

legend

1. fuel oil tank
2. prefilter
3. fuel oil supply pump to the boiler
4. fuel oil heater
5. secondary filter
6. slotted screen
7. boilers
8. pump for recycling
9. back to the line supply of fuel oil
10. device TRGA
11. pre-mixing
12. flowmeter of fuel oil
13. flowmeter of the second component (additive in oil, Bottom water... if necessary)
15. manometers